

USB3.0 Industrial Camera

MV-S2UC2500GM

Support two USB3.0 interfaces, up to 10Gbps transmission bandwidth, with high-speed sensor, the frame rate of 25MP camera can be up to 30FPS. USB3.0 series CPU occupancy is low, using DMA transmission, 10Gbps data transmission part, almost does not occupy CPU resources.

Product Features

- Camera comes with programmable IO
- Support dual USB3.0 output, the speed is 2 times faster than the original
- Support external trigger strobe synchronous photography
- Support 8bit raw data output
- Fully compatible with the SDK of GIGE camera, can be replaced seamlessly.
- Multiple cameras on one computer can work stably without dropping or losing frames for a long time.
- Support PC Linux system and ARM Linux system, can be integrated into embedded devices.
- Compatible with Vision protocol, seamlessly compatible with Halcon, Vision Pro, Labview and other vision software.

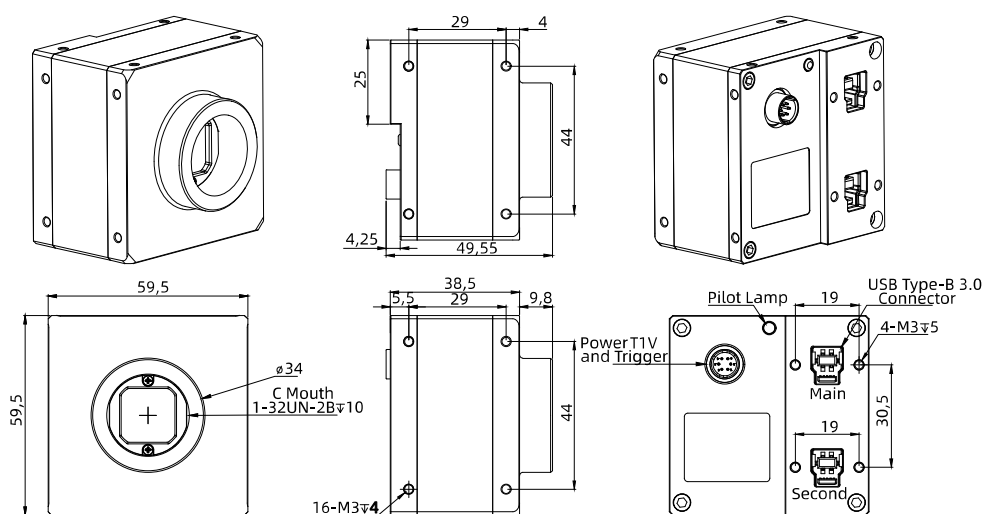


MV-S2UC2500GM

Product Application

It can be applied to electronic 3C, automated semiconductor, logistics code scanning, intelligent transport, biomedical, packaging and printing.

S2UC2500 Camera Dimension Drawing



Unit: mm

MV-S2UC2500GM-T1V-C

Technical Parameters

Parameter	Model	MV-S2UC2500GM
Sensor		1.1"CMOS
Sensor type		GMAX0505
Camera type		Mono
Image size		2.5μm×2.5μm
Effective pixel		25MP
Resolution@ Frame Rate		5120x5120Max@28.25FPS
Sensitivity		$1.03 \times 10^{-7} \text{ e}^{-}/((\text{W}/\text{m}^2) \cdot \text{s}) @500\text{nm}$
GPIO		1 opto-coupler isolated input, 1 opto-coupler isolated output, 1 non-isolated input and output
Exposure method		Frame exposure
Signal-to-noise ratio		36dB
Dynamic range		>65dB
AD width		12bit
Output pixel width		12bit
Maximum gain (times)		16.5
Exposure time range (ms)		0.0068~812.5
Frame buffer		256M Byte
User-defined data		2K Byte
Video Output Format		Mono 8bit
Visual Standards Protocol		USB3Vision、GenICam
Date interface		2-channel USB3.0
Power supply		USB 5V/ Aviation head power supply 12V~24V
Power		<5W
Lens interface		C-Mount
Dimension		59.5x59.5x38.5mm (Without lens mount and rear shell interface)
Weight		<300g
Working temperature		0~50°C
Working humidity		20~80% (no condensation)
Storage humidity		-30~60°C
Device driver		Directshow components Halcon-specific components Labview-specific drivers OCX components TWAIN components
Operating system		WINXP, WIN7/8/10 32&64 bit systems, Linux and ARM Linux drivers, Android platform drivers, MAC OS systems
Programming language package		C/C++/C#/VB6/VB.NET/Delphi/BCB/Python/Java
Other functions		Support any size ROI custom resolution, contrast and gamma adjustment, saturation adjustment, white balance correction, black level correction, custom dead point coordinate correction,ISP image processing acceleration, 3D noise reduction, custom LUT table, frame rate adjustment, custom camera name, etc.